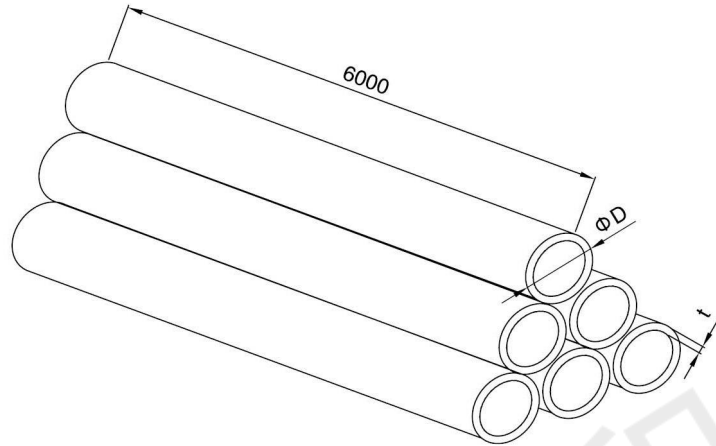
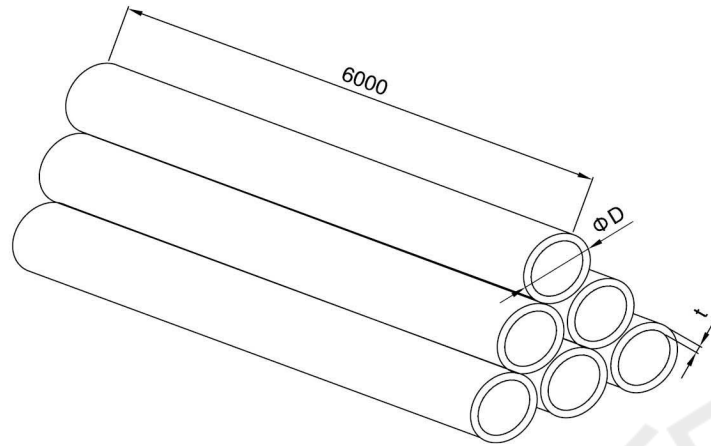


各种标准钢管系列
Stainless steel pipe series



ISO 2037			SMS			3A			IDF		
Size	D	t	Size	t	t	Size	D	t	Size	D	t
19	19.0	1.5	25	1.25	1.5	1/2 "	12.7	1.65	1.0 "	25.4	1.5
25	25.4	1.5	32	1.25	1.5	3/4 "	19.1	1.65	1 1/4 "	32.0	1.5
32	32.0	1.5	38	1.25	1.5	1.0 "	25.4	1.65	1 1/2 "	38.1	1.5
38	38.1	1.5	51	1.25	1.5	1.5 "	38.1	1.65	2.0 "	50.8	1.5
45	45.0	2.0	63	1.50	2.0	2.0 "	50.8	1.65	2 1/2 "	63.5	2.0
48	48.0	1.5	76	1.60	2.0	2.5 "	63.5	1.65	3.0 "	76.2	2.0
51	50.8	1.5	89	2.0	2.0	3.0 "	76.2	1.65	3 1/2 "	89.0	2.0
57	57.0	2.0	101.6	2.0	2.0	4.0 "	101.6	2.10	4.0 "	101.6	2.0
63	63.5	2.0				6.0 "	152.4	2.80	4 1/4 "	108.0	2.0
76	76.2	2.0				8.0 "	203.2	2.80			
80	85.0	2.0				10.0 "	254.0	3.40			
89	89.0	2.0				12.0 "	305.0	3.40			
102	101.6	2.0									
108	108.0	2.0									
133	133.0	3.0									
159	159.0	3.0									
219	219.0	4.0									

各种标准钢管系列
Stainless steel pipe series



DIN11850/11851				BS4825			ISO1127		
Size	D*t	D*t	D*t	Size	t	t	Size	OD	ID
DN10	12*1.0	13*1.5	14*1.5	12.7	1.2	1.2	26.9	26.9	23.7
DN15	18*1.0	19*1.5	20*1.5	15.88	1.2	1.2	33.7	33.7	29.7
DN20	22*1.0	23*1.5	24*1.5	19.05	1.2	1.2	42.4	42.4	38.4
DN25	28*1.0	29*1.5	30*1.5	25.4	1.2	1.6	48.3	48.3	44.3
DN32	34*1.0	35*1.5	36*1.5	38.1	1.2	1.6	60.3	60.3	56.3
DN40	40*1.0	41*1.5	42*2.0	50.8	1.2	1.6	76.2	76.2	72.2
DN50	52*1.0	53*1.5	54*2.0	63.5	1.6	1.6	88.9	88.9	84.9
DN65	70*2.0	70*2.0	70*2.0	76.2	1.6	1.6	114.3	114.3	110.0
DN80	85*2.0	85*2.0	85*2.0	101.6	2.0	2.0	139.7	139.7	135.7
DN100	104*2.0	104*2.0	104*2.0	114.3	2.0	2.0	168.3	168.3	161.5
DN125	129*2.0	129*2.0	129*2.0	139.7	2.0	2.0	219.1	219.1	213.9
DN150	154*2.0	154*2.0	154*2.0	168.3	2.6	2.6			
	Series 1	Series 2	Series 3	Recommended series	219.1	2.6	2.6		

JIS G3447											
Size	D	t	Size	t	t	Size	D	t	Size	D	t
1.0 "	25.4	1.2									
1.25 "	31.8	1.2									
1.5 "	38.1	1.2									
2.0 "	50.8	1.5									
2.5 "	63.5	2.0									
3.0 "	76.2	2.0									
3.5 "	88.9	2.0									
4.0 "	101.6	2.0									
4.5 "	114.3	3.0									
5.5 "	139.7	3.0									
6.5 "	165.1	3.0									