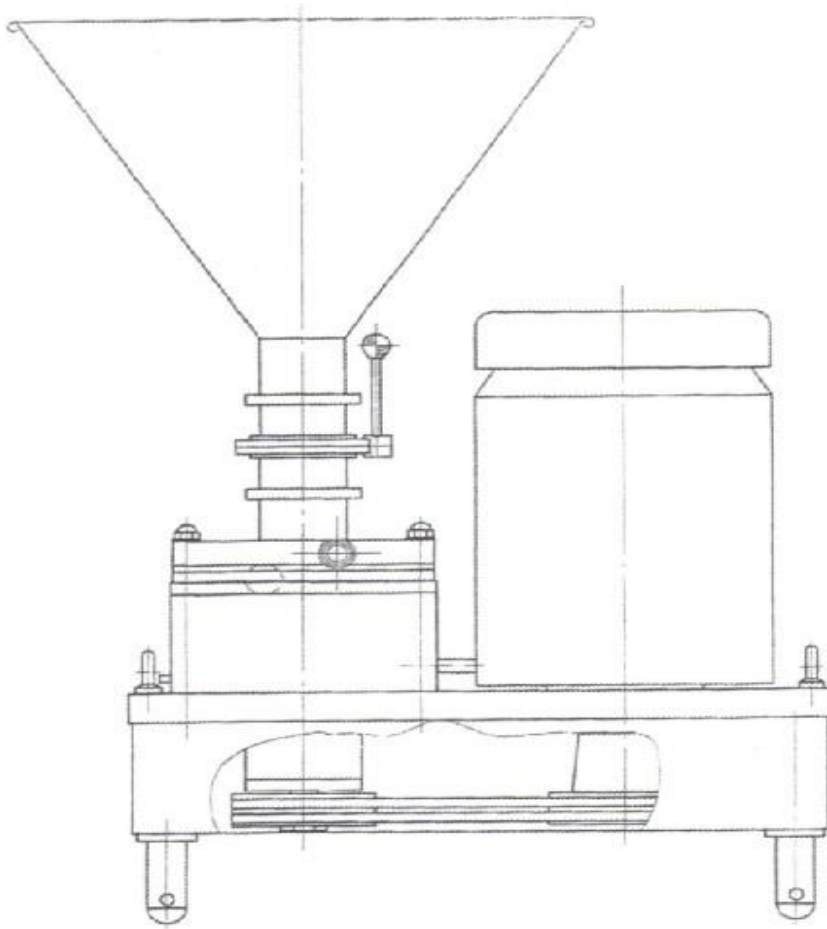


料液混合泵

Water-powder mixer

使用说明书

Manual



一、用途和适用范围

料液混合泵是利用高速旋转的叶轮，将所需混合的料和液进行充分搅和，输送出所需的混合物。本设备特别用于冷饮生产和再制奶的生产，也可用于果汁和其他饮料生产，是食品冷饮饮料行业中必不可少的设备之一。本设备进料温度为 90℃

1. Application

The powder material and liquid will have a good mixing in the water-powder mixer by the impeller with a high speed. Then the mixture will be pump out. The device is used especially for dairy production. It also can be used for produce juice or other beverages. Different kinds of

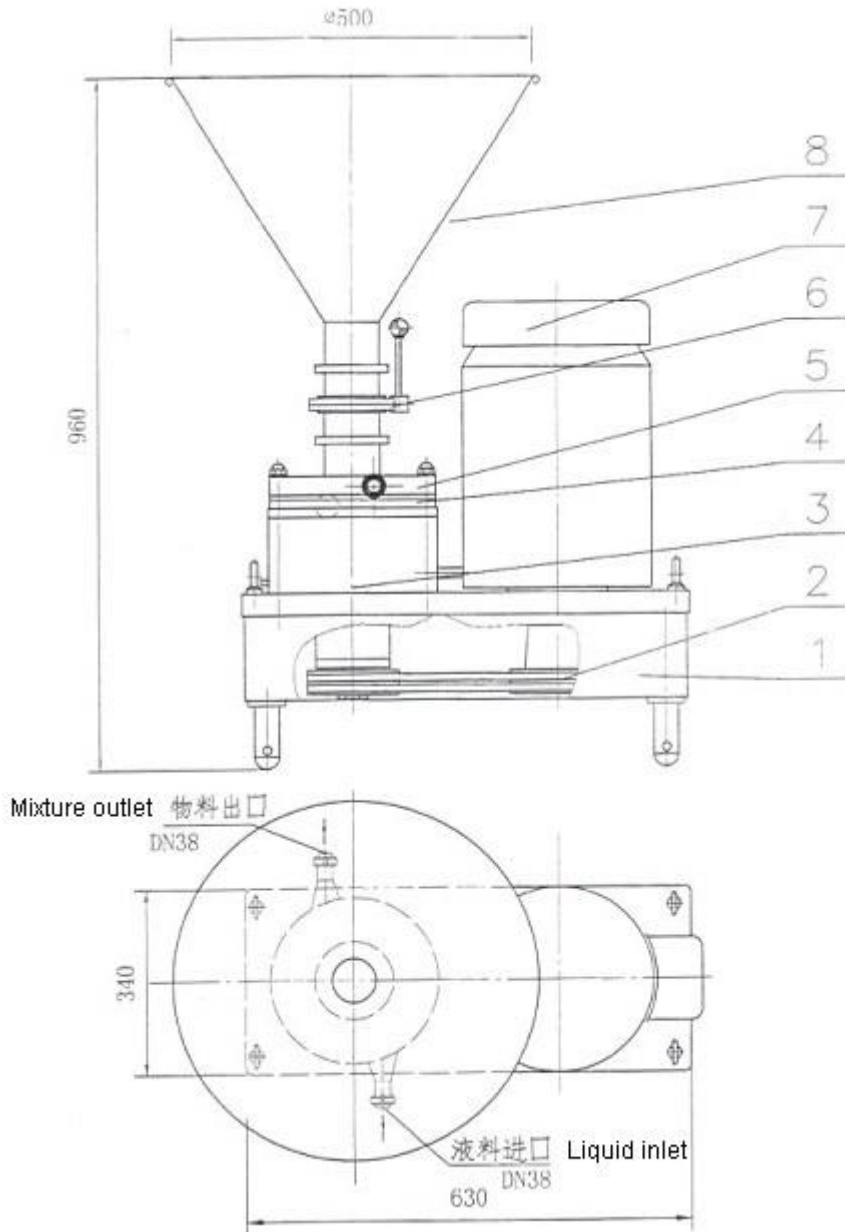
water-powder mixers are important equipments in food, dairy, beverage industry. Max. material inlet temperature is 90°C.

二、主要规格及技术参数

- 1、处理能力：10T/H
- 2、叶轮直径：φ160mm
- 3、进液口管径：φ51mm
- 4、最大压力：0.3Mpa
- 5、电机规格：型号：Y2100-2 功率：4.0KW 转速：2880rpm
- 6、外形尺寸：（长 X 宽 X 高） 630X420X960
- 7、机器重量：150Kg

2. Main specification and technical parameters.

1. Processing capacity: 10T/H
2. Impeller diameter: φ160mm
3. Material inlet diameter: φ51mm
4. Max. pressure : 0.3Mpa
5. Motor specification:
Model: Y2100-2 Power: 4.0KW Rotary speed: 2880rpm
6. Dimension: 630X420X960 (LXWXH)
7. Weight: 150Kg



1. 泵座 2. 传动装置 3. 冷却水管 4. 泵壳 I (料液进) 5. 泵壳 II (料液出) 6. 蝶阀 7. 电机 8. 进料斗
1. Base 2. Drive device 3. Cool water tube 4. Pump shell I (liquid in)
5. Pump shell II (mixture out) 6. Butterfly valve 7. Motor 8. Material feeding hopper.

三、主要结构

3. Main structure

料液混合泵主要有进料斗，蝶阀、泵壳 I、II、叶轮、主轴、机械密封。水冷却套，泵座、皮带转动装置，电动机等组成。设备中所有与物料接触部分，均采用优质、耐蚀不锈钢制成，符合食品卫生要求。

Water-powder mixer consists of hopper, butterfly, pump shell I, II, impeller, main shaft, mechanical seal, water cool ring, base, drive device, motor etc. The parts contact with material are all made of stainless steel. It meets requirements of food sanitation.

该机的工作，由电动机、经皮带、带动主轴、叶轮、在泵壳 II 内高速旋转，达到混合料液的目的。

Working principle for the device: The motor runs at full speed to drive the main shaft and impeller by the belt. The main shaft and impeller will revolving at a high speed to mix the liquid in the pump shell II.

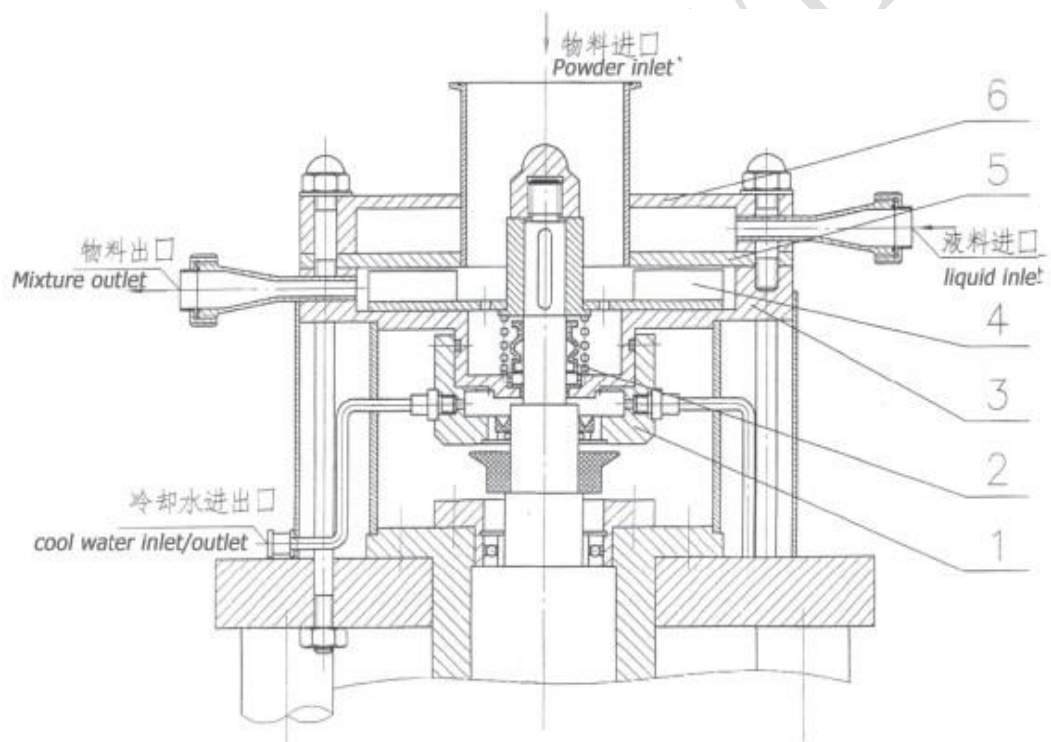
叶轮等用 Dcr19Ni9 制成，为了不让细菌聚集，必须便于拆清洗，机械密封由静环、动环密封圈，不锈钢弹簧，以及压紧密封圈等组成，还有外密封，以防液体泄漏。本泵还配备了水冷却套装置。

The impeller is made of Dcr19Ni9.To avoid bacteria gather, the impeller should be easy to remove and clean. Mechanical seal is made up of stationary ring, seal ring of rotary ring, stainless steel spring and tight

seal ring etc. The outer seal is for prevent leakage.

主轴与电机之间，由三角皮带转动，并有张紧装置，这种料液混合泵，电机和接线部分，避免了积水受潮，符合用电安全。电机与泵座是螺栓连接，整机可作任意移动，无需固定的安装基础。

The main shaft and motor will be driven by the belt. The motor and wiring parts is moisture-proof. Motor is connected with base by bolt. The water-powder mixer can be removed as you like.



- 1、 水冷却装置 2、机械密封件 3、泵壳 II 4、叶轮 5、隔板
6、泵壳 I

1. Cooling water seal device 2.Mechanical seal 3.Pump shell II 4.Impeller
5.Spearation plate

四、操作与作用

Operation and function

使用前应注意各密封件装配的正确、贴切、各联接口，结合的紧密，可靠。检查叶轮的旋转方向为顺时针。与液体接触部分在使用前，应用蒸汽消毒，确保食品卫生要求。

Please keep in mind that all seals and interface should be connected correctly before using. The rotation direction of the impeller shall be clockwise. The parts connected with material should be disinfected by steam for meeting the requirements of food sanitation.

泵壳 I 上的螺纹接头 (Rd65X1/6) 为进液口。混合以后的混合液由下方泵壳 II 的螺纹接头 (Rd65X1/6) 输出。泵壳 II 下部有二处橡胶皮管接头，是接冷却水的进出口水管，专门为冷却机械密封和主轴。

Thread joint (Rd65X1/6) in the pump shell I is liquid inlet. Thread joint (Rd65X1/6) in the pump shell II is mixture outlet. There are two rubber pipe joints below the pump shell II for connect cooling water inlet and outlet (for cooling mechanical seal and main shaft).

为避免因泵的安装位置，高于吸入液位，需进行灌泵。所以泵的安装位置最好低于吸入液面，控制流量，不要长期在超负荷情况下操作，以致损坏电动机。

The mixer should be in full fill if the installation position of the pump is higher than the suction level. So the installation position of the

pump should be better lower than the suction level. Do not start the mixer when overload to prevent motor damage.

该泵拆卸较为方便，松开 4 只 M10 盖螺母后，便可打开泵壳 I 的隔板，取下主轴上的锁紧螺母（左旋，顺时针方向旋松），拿出叶轮，便露出机械密封件。

The mixer is easy for take apart. You can open the separation plate in the pump shell I by loosen the 4 M10 nuts. Take off the tight nut in the main shaft (Right turn, clockwise direction) and remove the impeller. You will see the mechanical seal.

在泵运转和停车时，应注意各密封面是否渗漏，若渗漏较严重，应即停止使用。检查轴上各密封件是否受损，安装位置是否正确，并视密封件磨损程度，进行调换，还需进行研磨后方可使用。

Please check all seal surfaces are in good condition and without leakage when start and stop. Stop the pump immediately if there are any serious leaks. Please check the seals are all in good condition and installed correctly. The seals should be replaced if badly worn.

泵使用完毕，应清洗，以防液料积垢。清洗先用热水通过，然后拆卸，用毛刷洗干净，再按顺序装上所有零件。

Clean the pump after work to prevent liquid material remaining in the pump. Clean the pump with hot water first, then take the pump to pieces, clean it with brush. Then reinstall the mixer.

使用与清洗时，电动机不锈钢外罩不能拆除，以防浸水受潮，

电机损坏。

To prevent moisture, the stainless steel guard couldn't be removed from motor when cleaning and working.

JONENG VALVES